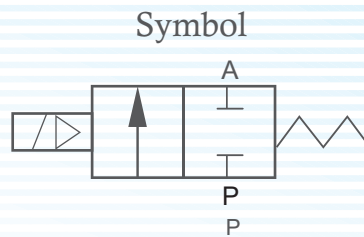


## Brass Solenoid Valve

2 Port/ 2 Position Solenoid Valve Direct Drive Type AC 220V



Solenoid Valve Direct Drive Type

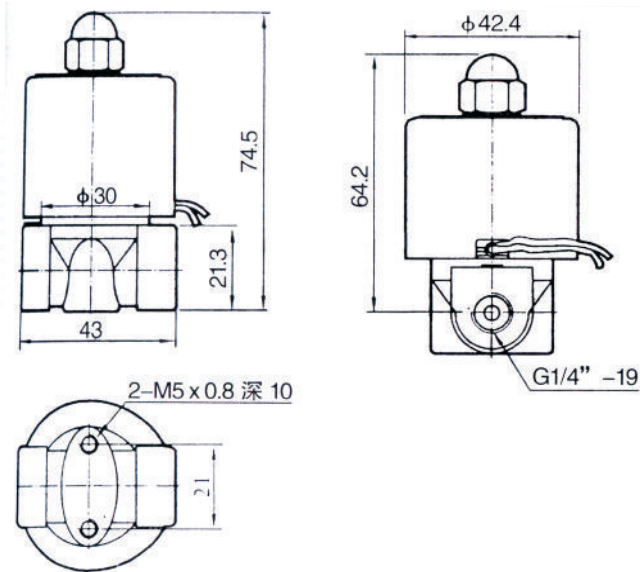


| Specification / code                          | BSVD22-06  | BSVD22-10 | BSVD22-12 | BSVD22-19 | BSVD22-25 |
|---|--|-----------|-----------|-----------|-----------|
| Size in inch.                                 | 1/4"   | 3/8"      | 1/2"      | 3/4"      | 1"        |
| Working Medium                                | Air, Water, Oil, Gases   |           |           |           |           |
| Motion Pattern                                | Direct Drive Type  |           |           |           |           |
| Operating Type                                | Normally Closed (NC)   |           |           |           |           |
| Aperture Size                                 | 2.5mm  | 4mm       | 16mm      | 20mm      | 25mm      |
| CV Value                                      | 0.23   | 0.60      | 4.8       | 7.6       | 12        |
| Operational Fluid Viscosity                   | (Below) 20 CST   |           |           |           |           |
| Working Pressure kg/cm <sup>2</sup>           | Air: 0 --- 7kg/cm <sup>2</sup> / Water: 0 --- 5kg/cm <sup>2</sup> / Oil: 0 --- 5kg/cm <sup>2</sup> |           |           |           |           |
| Max Pressure Resistance                       | 10kg/cm <sup>2</sup>   |           |           |           |           |
| Operating Temperature                         | -5 --- 80  |           |           |           |           |
| Voltage Range                                 | ± 10%  |           |           |           |           |
| Material Body                                 | Brass  |           |           |           |           |
| Material of Oil Seal                          | NBR  |           |           |           |           |
| Available Coils : DC12V, DC24V, AC110V, AC24V |  |           |           |           |           |

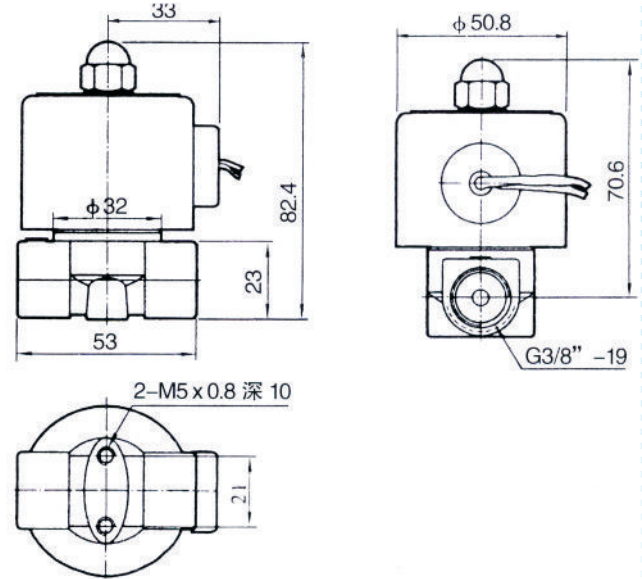
## Brass Solenoid Valve

### Dimensions (mm) for 2 Port/ 2 Position Solenoid Valve Direct Drive Type AC 220V

1) BSVD22 - 06



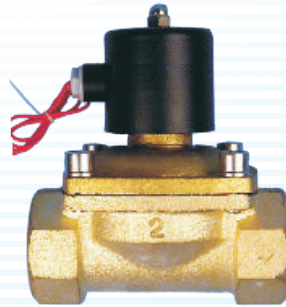
1) BSVD22 - 10



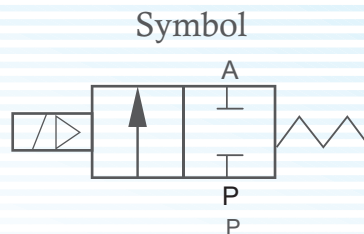
| CODE        | A   | B    | C     | D  | E    | K      |
|-------------|-----|------|-------|----|------|--------|
| BSVD22 - 12 | 93  | 57   | 106.5 | 69 | 50.4 | G 1/2" |
| BSVD22 - 19 | 100 | 57   | 116.4 | 73 | 50.4 | G 3/4" |
| BSVD22 - 25 | 105 | 73.4 | 126   | 99 | 50.4 | G 1"   |

## Brass Solenoid Valve

2 Port/ 2 Position Solenoid Valve Direct Drive Type AC 220V



Solenoid Valve Direct Drive Type

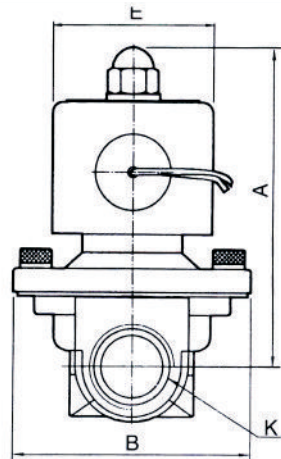
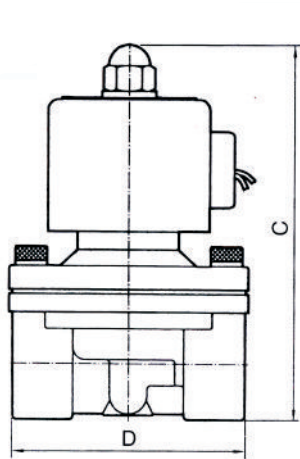


| Specification / code                          | BSVD22-31  | BSVD22-38 | BSVD22-50 |
|---|--|-----------|-----------|
| Size in inch.                                 | 1-1/4"   | 1-1/2"    | 2"        |
| Working Medium                                | Air, Water, Oil, Gases   |           |           |
| Motion Pattern                                | Direct Drive Type  |           |           |
| Operating Type                                | Normally Closed (NC)   |           |           |
| Aperture Size                                 | 35mm   | 40mm      | 50mm      |
| CV Value                                      | 24   | 29        | 48        |
| Operational Fluid Viscosity                   | (Below) 20 CST   |           |           |
| Working Pressure kg/cm <sup>2</sup>           | Air: 0 --- 7kg/cm <sup>2</sup> / Water: 0 --- 5kg/cm <sup>2</sup> / Oil: 0 --- 5kg/cm <sup>2</sup> |           |           |
| Max Pressure Resistance                       | 10kg/cm <sup>2</sup>   |           |           |
| Operating Temperature                         | -5 --- 80  |           |           |
| Voltage Range                                 | ± 10%  |           |           |
| Material Body                                 | Brass  |           |           |
| Material of Oil Seal                          | NBR  |           |           |
| Available Coils : DC12V, DC24V, AC110V, AC24V |  |           |           |

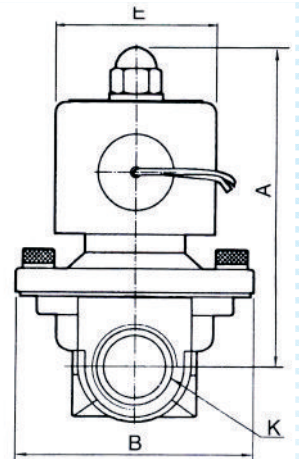
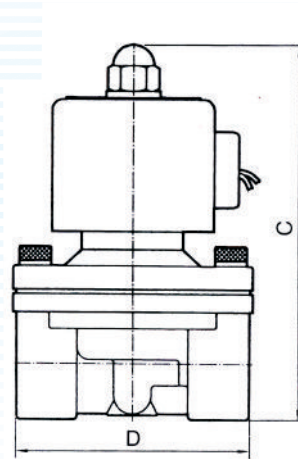
## Brass Solenoid Valve

Dimensions (mm) for  
2 Port/ 2 Position Solenoid Valve Direct Drive Type AC 220V

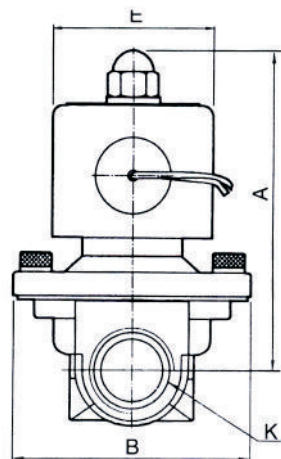
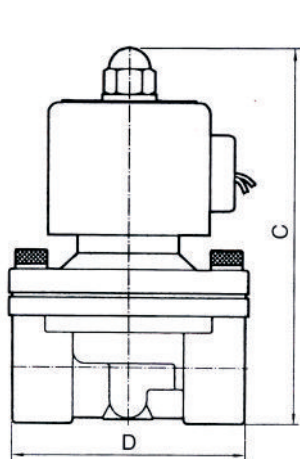
1) BSVD22 - 31



1) BSVD22 - 38



1) BSVD22 - 50



| CODE        | A   | B   | C   | D   | E    | K        |
|-------------|-----|-----|-----|-----|------|----------|
| BSVD22 - 31 | 142 | 95  | 172 | 123 | 70.2 | G 1-1/4" |
| BSVD22 - 38 | 142 | 95  | 172 | 123 | 70.2 | G 1-1/2" |
| BSVD22 - 50 | 172 | 123 | 209 | 168 | 70.2 | G 2"     |